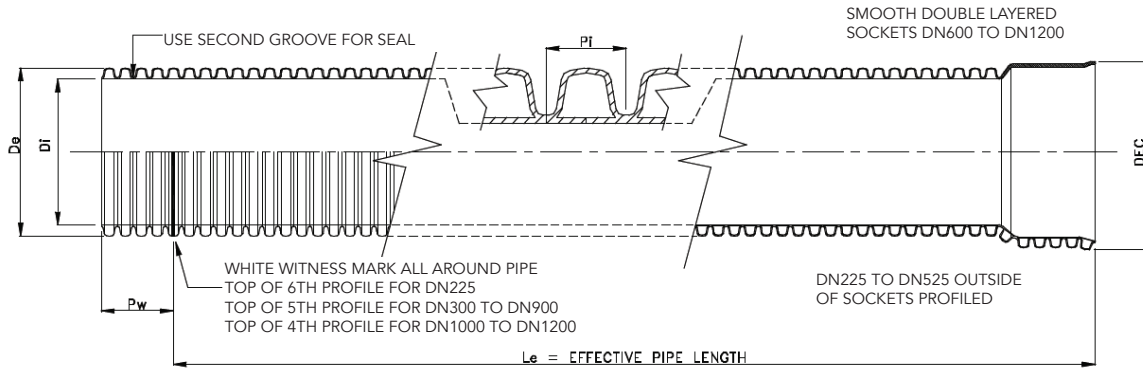


## PP Drainage Systems

# SewerMax® Pipe Dimensions



## Technical Data

DN	Mean Pipe OD De (mm)	Mean Pipe ID Di (mm)	Socket OD DEC (REF) (mm)	Mean Witness Mark length Pw (mm)	Profile Pitch P <sub>i</sub> (REF) (mm)	Approx Pipe Barrel Mass (kg/m)	Effective Lengths Le min (mm)
225	259	225	305	128	25	4	3000
300	344	300	403	155	33	8	3000
375	429	374	502	183	40	11	3000
450	514	448	603	210	57	14	3000
525	600	523	704	260	57	18	3000
600	683	597	750	295	66	23	2765
750	843	736	896	382	80	34	TBA
900	1010	877	1072	432	100	47	TBA
1000	1103	987	1187	372	133	TBA	TBA
1200	1342	1170	1432	476	133	90	TBA

**Note:**

- Standard nominal lengths in all diameters are 3m
- DN225 to DN525 are supplied with a ribbed socket
- DN600 to DN1200 are supplied with a double layered socket

**Need help? | Merchants 1300 0 47539 | Civil 13 10 86**
[www.iplex.com.au](http://www.iplex.com.au)